

Service Parts Manual



Hunter 4x4 EV



Service Parts Manual

Hunter 4x4 EV

Ruff & Tuff Electric Vehicles Inc, reserves the right to modify any equipment, technical specifications, colors, materials, services offered and rendered, and the like so as to adapt them to local conditions without previous announcement and without giving reasons, or to cancel any of the above items without substituting them with others. It shall be acceptable to stop manufacturing a certain model without previous announcement. In the event of such modifications, please ask your local Ruff & Tuff dealer for information. We shall not be held liable for any printing errors.

© By Ruff & Tuff Electric Vehicles, Inc. USA. All rights reserved.
Effective June 2008

Table of Contents

1. Drive System	4-8
2. Electric System	9-22
3. Suspension Assembly	23-26
4. Body and Accessories	27-38
5. Brake System	39-43
6. Steering System	44-46
7. Disc Brake Assembly	47
8. Front Differential Assembly	48-53

Drive System



Part Name: Front Differential Housing

Part No.: HLP-220001

Spec:

Main Material:

Color:

Remark:



Part Name: Transfer Case

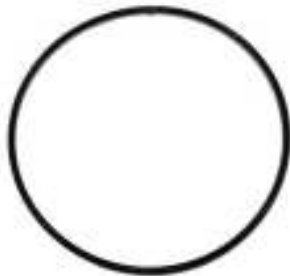
Part No.: HLP-220002

Spec:

Main Material: Plastic Shell

Color: Black

Remark:



Part Name: Seal Ring

Part No.: HLP-220003

Spec:

Main Material: Rubber

Color: Black

Remark: Seal Ring used on the juncture of Transfer Box and Front Differential



Part Name: Steel Wire Retainer

Part No.: HLP-220004

Spec:

Main Material: Spring steel

Color:

Remark: Assembled on the half shaft, tighten the juncture between half shaft and differential.



Part Name: Front Left Half Shaft

Part No.: HLP-220005L

Spec:

Main Material:

Color:

Remark:



Part Name: Front Right Half Shaft

Part No.: HLP-220005R

Spec:

Main Material:

Color:

Remark:



Part Name: Rear Differential Drive housing

Part No.: HLP-220006

Spec:

Main Material: Aluminum

Color:

Remark:



Part Name: Rear Left Half Shaft

Part No.: HLP-220007L

Spec:

Main Material:

Color:

Remark: Left rear half shaft is longer than the right one.



Part Name: Rear Right Half Shaft

Part No.: HLP-220007R

Spec:

Main Material:

Color:

Remark: Right rear half shaft is shorter than the left one.



Part Name: Drive Shaft Assembly

Part No.: HLP-220008

Spec:

Main Material:

Color:

Remark: Drive Shaft for 4x4 2P



Part Name: Center Support Bearing

Part No.: HLP-220009

Spec:

Main Material: Metal and rubber

Color:

Remark: Bearing in the middle of Drive Shaft



Part Name: Rear Left Bearing Carrier

Part No.: HLP-220010L

Spec:

Main Material: Aluminum

Color:

Remark:



Part Name: Rear Right Bearing Carrier

Part No.: HLP-220010R

Spec:

Main Material: Aluminum

Color:

Remark:



Part Name: Bushing for Rear Bearing Carrier

Part No.: HLP-220011

Spec:

Main Material: Plastic

Color: Black

Remark: Used on Rear Bearing Carrier



Part Name: Bushing for Rear Bearing Carrier

Part No.: HLP-220012

Spec:71.5/139.5mm

Main Material: Metal

Color: Galvanized

Remark: Used on Rear Bearing Carrier



Part Name: Rim

Part No.: AWBA12701

Spec: 12x7

Main Material: Aluminum

Color: Black

Remark:



Part Name: Rim Center Cap
Part No.: AWCC01 Chrome
AWBC01 Black
Main Material: Plastic
Color: Silver, Black
Remark:



Part Name: Front Wheel Hub
Part No.: HLP-220016
Spec:
Main Material: Aluminum
Color: Silver
Remark: the center point of Front Wheel Hub is longer than that of Rear Wheel Hub



Part Name: Rear Wheel Hub
Part No.: HLP-220017
Spec:
Main Material: Aluminum
Color: Silver
Remark: the center point of Rear Wheel Hub is Shorter than that of Front Wheel Hub

Electrical System



Part Name: License Plate Light

Part No.: HLP-370001

Spec: 12V

Main Material: Plastic

Color:

Remark:



Part Name: Horn

Part No.: HEL2-3760210

Spec: 12V

Main Material: Plastic

Color:

Remark:



Part Name: Ignition Key

Part No.: HEL2-3440000

Spec:

Main Material: Aluminum

Color:

Remark:



Part Name: Brush Socket

Part No.: HEL2-3400061

Spec:

Main Material: Plastic

Color: Black

Remark: Assembled on between Steering Wheel and Steering Column. Horn Wire is assembled on it.



Part Name: Brush Linker
Part No.: HEL2-3400071
Spec:
Main Material:
Color:
Remark: Assembled on under the Steering Wheel.



Part Name: Horn Wire
Part No.: HLP-370006
Spec:
Main Material:
Color:
Remark: Assembled on between Brush Socket and Steering Wheel Hub.



Part Name: Left Taillight
Part No.: HEL2-3760100
Spec: 12V
Main Material:
Color:
Remark:



Part Name: Right Taillight
Part No.: HEL2-3760200
Spec: 12V
Main Material:
Color:
Remark:



Part Name: Left Headlight
Part No.: HEL2-3755100
Spec: 12V110W
Main Material:
Color:
Remark:



Part Name: Right Headlight
Part No.: HEL2-3755200
Spec: 12V110W
Main Material:
Color:
Remark:



Part Name: Microswitch for Brake Light
Part No.: HEL2-3730600
Spec: Z-15CW222-B
Main Material:
Color:
Remark: Assembled on under Brake Pedal Assembly.



Part Name: Flasher
Part No.: HEL2-3760460
Spec: 12V SG152A
Main Material:
Color:
Remark: Electric Flashing device for turning lights.



Part Name: Turn Signal Switch

Part No.: HEL2-3440010

Spec:

Main Material:

Color:

Remark:



Part Name: Fuse

Part No.: HLP-370012

Spec: 250V400A

Main Material:

Color:

Remark: Safety Device for Main circuit connected to Controller.



Part Name: EDS Button

Part No.: HLP-370013

Spec: LA42

Main Material:

Color: Red

Remark: Red Button



Part Name: 4WD Switch Button

Part No.: HLP-370014

Spec: LA42

Main Material:

Color: Green

Remark: Green Button



Part Name: Forward/Reverse Switch
Part No.: HEL2-3730700
Spec: JK931
Main Material:
Color:
Remark:



Part Name: Reverse Buzzer Switch
Part No.: HEL2-3730510
Spec:
Main Material: Plastic
Color:
Remark:



Part Name: Windshield Wiper Switch
Part No.: HLP-370017
Spec: JK931
Main Material: Plastic
Color:
Remark:



Part Name: Headlight Switch
Part No.: HLP-370018
Spec: JK931
Main Material: Plastic
Color:
Remark:



Part Name: Switch Panel
Part No.: HLP-370019
Spec:
Main Material: Aluminum
Color: Black
Remark:



Part Name: Charge Meter
Part No.: HEL2-3760310
Spec:
Main Material: Plastic
Color:
Remark:



Part Name: Speedometer
Part No.: HLP-370021
Spec:
Main Material:
Color:
Remark: LED Display



Part Name: 12 Volt Receptacle
Part No.: HEL2-3760470
Spec: 12VØ20
Main Material:
Color:
Remark:



Part Name: Main Solenoid
Part No.: HLP-370023
Spec: 48V200A
Main Material:
Color: White
Remark:



Part Name: Solenoid
Part No.: HLP-370024
Spec: 48V150A
Main Material:
Color:
Remark:



Part Name: Diode
Part No.: HEL2-3760410
Spec: IN5404
Main Material:
Color:
Remark: Used on Main Solenoid and Solenoid



Part Name: Resistor
Part No.: HEL2-3760430
Spec: 5W280Ω
Main Material:
Color:
Remark: Used on Main Solenoid



Part Name: Converter
Part No.: HLP-370027
Spec: 48/12V 250W
Main Material: Aluminum
Color:
Remark:



Part Name: Series Excitation Controller
Part No.: HLP-370028
Spec: 48V600A
Main Material:
Color:
Remark:



Part Name: Series Excitation Motor
Part No.: HLP-370029
Spec: 48V4KW
Main Material:
Color:
Remark: KDS



Part Name: Discover Dry Cell Battery
Part No.: EV805A
Spec: 8V 215AH
Main Material:
Color:
Remark: DISCOVER 180X260X370



Part Name: Safety Device A
Part No.: HLP-370033
Spec: 20A
Main Material:
Color:
Remark:



Part Name: Safety Device B
Part No.: HLP-370034
Spec: 25A
Main Material:
Color: White
Remark:



Part Name: Protective Diode
Part No.: HLP-370035
Spec: 12A
Main Material:
Color:
Remark:



Part Name: Mount Bracket
Part No.: HLP-370036
Spec:
Main Material: Q235
Color:
Remark:



Part Name: Controller Heat Sink
Part No.: HLP-370037
Spec:
Main Material: Aluminum
Color:
Remark:



Part Name: Hold Down Bolt
Part No.: HLP-370038
Spec: 370mm/260mm
Main Material: 45#
Color:
Remark: Batteries Hold Down Bolt



Part Name: Accelerator ASSY
Part No.: HEL2-3750130
Spec:
Main Material:
Color:
Remark:



Part Name: Inductive Throttle Sensor
Part No.: HLP-370040
Spec: 0-5V
Main Material:
Color:
Remark: INBOER



Part Name: Micro Switch
Part No.: HEL2-3750110
Spec: V-16G-1C25
Main Material:
Color:
Remark: OMRON, Switch for Accelerator



Part Name: Inductive Plunger
Part No.: HEL2-3750150
Spec: FT-02-02
Main Material:
Color:
Remark: Accelerator ASSY Inner Part



Part Name: Accelerator Pedal Pad
Part No.: HEL2-2001013
Spec:
Main Material: Rubber
Color: Black
Remark:



Part Name: Accelerator ASSY Pad
Part No.: HLP-370044
Spec:
Main Material: Plastic
Color: Black
Remark:



Part Name: Solenoid Bracket

Part No.: HLP-370045

Spec:

Main Material: Q235

Color: Black

Remark:



Part Name: Battery Bracket

Part No.: HLP-370046

Spec:

Main Material: Q235

Color: Black

Remark:



Part Name: Battery Sub-bracket

Part No.: HLP-370047

Spec:

Main Material: Q235

Color: Black

Remark:



Part Name: Battery Retainer

Part No.: HLP-370048

Spec:

Main Material: Q235

Color: Black

Remark:



Part Name: Main Cable
Part No.: HLP-370050
Spec:
Main Material:
Color:
Remark:



Part Name: Control Cable A
Part No.: HLP-370051
Spec:
Main Material:
Color:
Remark:



Part Name: Control Cable B
Part No.: HLP-370052
Spec:
Main Material:
Color:
Remark:



Part Name: Control Cable for Transfer Case
Part No.: HLP-370053
Spec:
Main Material:
Color:
Remark:



Part Name: Wire for Accelerator
Part No.: HLP-370054
Spec:
Main Material:
Color:
Remark: Wire connecting to Accelerator



Part Name: Wire for Sensor
Part No.: HLP-370055
Spec:
Main Material:
Color:
Remark: Wire connecting to Sensor



Part Name: Controller ASSY Cover
Part No.: HLP-370056
Spec:
Main Material: Plastic
Color: Black
Remark:



Part Name: Relay
Part No.: HLP-370057
Spec:
Main Material:
Color:
Remark: Assembled on under the Front Cowl,
controlling the Transfer Case.

Suspension Assembly



Part Name: Rear Left Lower Arm

Part No.: HLP-290001L

Spec:

Main Material: Q235

Color: Black

Remark:



Part Name: Rear Right Lower Arm

Part No.: HLP-290001R

Spec:

Main Material: Q235

Color: Black

Remark:



Part Name: Rear Left Upper Arm

Part No.: HLP-290002L

Spec:

Main Material: Q235

Color:

Remark:



Part Name: Rear Right Upper Arm

Part No.: HLP-290002R

Spec:

Main Material: Q235

Color:

Remark:



Part Name: Rear Shock Absorber

Part No.: HLP-290003

Spec: 44N/mm

Main Material:

Color:

Remark:



Part Name: Sway Bar ASSY

Part No.: HLP-290004

Spec: Ø16

Main Material: Spring Steel

Color: Black

Remark:



Part Name: Front Left Upper Arm

Part No.: HLP-290005L

Spec:

Main Material: Q235

Color: Black

Remark:



Part Name: Front Right Upper Arm

Part No.: HLP-290005R

Spec:

Main Material: Q235

Color: Black

Remark:



Part Name: Front Left Lower Arm

Part No.: HLP-290006L

Spec:

Main Material:

Color:

Remark:



Part Name: Front Right Lower Arm

Part No.: HLP-290006R

Spec:

Main Material:

Color:

Remark:



Part Name: Rubber Bushing

Part No.: HLP-290007

Spec:

Main Material:

Color: Black

Remark: Applied to both Front and Rear Swing Arms.



Part Name: Rubber Bushing Cover

Part No.: HLP-290008

Spec:

Main Material: Q235

Color: Green Galvanized

Remark: Assembled on both sides of Rubber Bushing



Part Name: Ball Joint

Part No.: HLP-290009

Spec: 78x78x46

Main Material:

Color:

Remark: CCVI, Assembled on between Swing Arm and Spindle.



Part Name: Front Shock Absorber

Part No.: HLP-290010

Spec: 26N/mm

Main Material:

Color:

Remark:

Body and Accessories



Part Name: Rear Sub-frame

Part No.: HLP-290011

Spec:

Main Material: Q235

Color: Black

Remark:



Part Name: Front Sub-frame

Part No.: HLP-290012

Spec:

Main Material: Q235

Color: Black

Remark:



Part Name: Center Floor Sheet

Part No.: HEL2A-2101001

Spec:

Main Material: Q235

Color: Black

Remark:



Part Name: Front Floor Sheet

Part No.: HLP-290014

Spec:

Main Material: Q235

Color: Black

Remark:



Part Name: Front Cowl Bracket

Part No.: HLP-290015

Spec:

Main Material: Q235

Color: Black

Remark:



Part Name: Left Side Guard Plate

Part No.: HLP-290016L (Stainless Steel)

HEL2-0000002L (Chrome)

Remark:



Part Name: Right Side Guard Plate

Part No.: HLP-290016R (Stainless Steel)

HEL2-0000002R (Chrome)

Remark:



Part Name: Seat Back

Part No.: HEL2-6800000

Spec:

Main Material: EPE Foam

Color: White, Cream, Black, etc

Remark:



Part Name: Seat Cushion
Part No.: HLP-290018
Spec:
Main Material: EPE Foam
Color: White, Cream, Black, etc.
Remark:



Part Name: Left Hip Restraint
Part No.: HEL2-7100001 (3)
Spec:
Main Material: Plastic
Color: Black
Remark:



Part Name: Right Hip Restraint
Part No.: HEL2-7100001 (2)
Spec:
Main Material: Plastic
Color: Black
Remark:



Part Name: Safety Belt
Part No.: HLP-290021
Spec:
Main Material:
Color:
Remark:



Part Name: Front Cowl

Part No.:

ARMOFC01- Mossy Oak Breakup

ARMOFC02 – Mossy Oak Obsession

ARMOFC03 – Mossy Oak Brush

Spec:

Main Material: Plastic



Part Name: Front Cowl Inner Part

Part No.: HLP-290023

Spec:

Main Material: Plastic

Color: Black

Remark:



Part Name: Left Storage Box Door

Part No.: HEL2-5300201 (L)

Spec:

Main Material: Plastic

Color: Black

Remark: Assembled on Front Cowl Inner Part



Part Name: Right Storage Box Door

Part No.: HEL2-5300201 (R)

Spec:

Main Material: Plastic

Color: Black

Remark: Assembled on Front Cowl Inner Part



Part Name: Storage Box Lock

Part No.: HEL2-5300210

Spec:

Main Material:

Color:

Remark:



Part Name: Storage Box Door Hinge

Part No.: HLP-290026

Spec:

Main Material: Aluminum

Color: Black

Remark: Connecting Storage Box Door
to Storage Box



Part Name: Folding Windshield

Part No.: 1019B64 (clear)

1019C64 (tinted)

Spec:

Main Material: Acrylic Plastic

Remark:



Part Name: Upper Retainer for Windshield

Part No.: HLP-290028

Spec:

Main Material: Plastic

Color: Black

Remark: Securing Front Windshield, assembled
on the upper part of Windshield.



Part Name: Lower Retainer for Windshield

Part No.: HLP-290029

Spec:

Main Material: Plastic

Color: Black

Remark:



Part Name: Rubber Bushing

Part No.: HLP-290030

Spec:

Main Material: Rubber

Color: Black

Remark: Assembled in between Windshield
and Front Strut.



Part Name: Sun Top

Part No.: HLP-290031

Spec:

Main Material:

Color: Black

Remark:



Part Name: Sun Top Frame

Part No.: HLP-290032

Spec:

Main Material:

Color: Black

Remark:



Part Name: Floor Mat
Part No.: HLP-290033
Spec:
Main Material: Rubber
Color:
Remark:



Part Name: Rear Bumper
Part No.: HEL2-000040
Spec:
Main Material: Plastic
Color: Black
Remark:



Part Name: Access Panel
Part No.: HEL2-560004
Spec:
Main Material: Plastic
Color:
Remark: Motor cover



Part Name: Lock Cover
Part No.: HEL2-3400002 (Lower)
HEL2-3400003 (Upper)
Spec:
Main Material: Plastic
Color: Black
Remark: Assembled on Steering Column,
covering Group Switch.



Part Name: Rear Left Wheel House
Part No.: HEL2-3102001
Spec:
Main Material: Plastic
Color: Black
Remark:



Part Name: Rear Right Wheel House
Part No.: HEL2-3102002
Spec:
Main Material: Plastic
Color: Black
Remark:



Part Name: Steering Column Bracket Cover
Part No.: HLP-290038
Spec:
Main Material: Rubber
Color: Black
Remark: Assembled on Steering Column Bracket



Part Name: Motor Protective Cover
Part No.: HLP-290039
Spec:
Main Material: pp
Color: Black
Remark:



Part Name: Rear Cowl
Part No.: HLP-290040
ARMORC01 Mossy Oak Breakup
ARMORC02 Mossy Oak Obsession
ARMORC03 Mossy Oak Brush

Spec:
Main Material: Plastic



Part Name: Seat Hinge
Part No.: HEL2-7100103
Spec:
Main Material: Stainless steel
Color:
Remark: Assembled on Seat Bottom



Part Name: Seat Hinge Plate
Part No.: HEL2-0000007
Spec:
Main Material: Stainless steel
Color:
Remark: Assembled on Rear Cowl



Part Name: Rear View Mirror Assembly
Part No.: RV Mirror
Spec:
Main Material: Glass, Plastic
Color: Black
Remark:



Part Name: Front Strut for Sun Top

Part No.: HLP-290044

Spec:

Main Material:

Color: Black

Remark:



Part Name: Rear Left Strut for Sun Top

Part No.: HLP-290045L

Spec:

Main Material:

Color: Black

Remark:



Part Name: Rear Right Strut for Sun Top

Part No.: HLP-290045R

Spec:

Main Material:

Color: Black

Remark:



Part Name: Seat Back Support (Left)

Part No.: HEG6-6800420

Spec:

Main Material:

Color: Black

Remark: Left seat back support



Part Name: Seat Back Support (Right)

Part No.: HEG6-6800410

Spec:

Main Material:

Color: Black

Remark: Right seat back support



Part Name: Front Left Half Shaft Cover

Part No.: HLP-290047L

Spec:

Material: PP

Color: Black

Remark:



Part Name: Front Right Half Shaft Cover

Part No.: HLP-290047R

Spec:

Material: PP

Color: Black

Remark:



Part Name: Front Cover A

Part No.: HLP-290048

Spec:

Material: PP

Color: Black

Remark:



Part Name: Front Cover B

Part No.: HLP-290049

Spec:

Material: PP

Color: Black

Remark:



Part Name: Chassis Guard Mount Bracket

Part No.: HLP-290050

Spec:

Material:

Color: Black

Remark:



Part Name: Chassis Guard

Part No.: HLP-290051

Spec:

Material:

Color: Black

Remark:

Brake System



Part Name: Foot Park Brake ASSY

Part No.: HLP-350001

Spec:

Main Material:

Color:

Remark:



Part Name: Brake Disc

Part No.: HLP-350002

Spec: Ø210

Main Material:

Color:

Remark:



Part Name: Park Brake Cover

Part No.: HLP-350003

Spec:

Main Material: Q235

Color: Black

Remark:



Part Name: Park Brake Cable

Part No.: HLP-350004

Spec:

Main Material:

Color:

Remark:



Part Name: Brake Master Cylinder

Part No.: HLP-350005

Spec:

Main Material:

Color:

Remark:



Part Name: Brake Fluid Reservoir

Part No.: HLP-350006

Spec:

Main Material:

Color:

Remark:



Part Name: Front Brake Hose

Part No.: HLP-350007F

Spec: 730*730-800

Main Material: Plastic

Color:

Remark:



Part Name: Rear Brake Hose

Part No.: HLP-350007R

Spec:

Main Material: Plastic

Color:

Remark:



Part Name: Front Left Brake

Part No.: HLP-350008L

Spec:

Main Material:

Color:

Remark:



Part Name: Front Right Brake

Part No.: HLP-350008R

Spec:

Main Material:

Color:

Remark:



Part Name: Rear Left Brake

Part No.: HLP-350009L

Spec:

Main Material: Aluminum

Color:

Remark:



Part Name: Rear Right Brake

Part No.: HLP-350009R

Spec:

Main Material: Aluminum

Color:

Remark:



Part Name: Friction Lining
Part No.: HLP-350010F
Spec:
Main Material: Powder Metallurgic process
Color:
Remark: Applied to Front Brakes.



Part Name: Friction Lining
Part No.: HLP-350010R
Spec:
Main Material: Powder Metallurgic process
Color:
Remark: Applied to Rear Brakes.



Part Name: Brake Connecting Rod ASSY
Part No.: HLP-350011
Spec:
Main Material: Q235
Color:
Remark: Connecting Brake Pedal ASSY
to Brake Master Cylinder.



Part Name: Brake Pedal ASSY
Part No.: HEL2-3500200
Spec:
Main Material: Q235
Color:
Remark:



Part Name: Brake Pedal Pad
Part No.: HEL2-3500202/3500201
Spec:
Main Material: Rubber
Color: Black
Remark:

Steering System



Part Name: Steering Wheel

Part No.: HEL2-3400200

Spec:

Main Material:

Color:

Remark:



Part Name: Left Front Spindle Carrier

Part No.: HLP-340002

Spec:

Main Material: Aluminum

Color:

Remark:



Part Name: Right Front Spindle Carrier

Part No.: HLP-340003

Spec:

Main Material: Aluminum

Color:

Remark:



Part Name: Steering Box ASSY

Part No.: HLP-340004

Spec:

Main Material:

Color:

Remark:



Part Name: Knuckle / Converter Setting

Part No.: HLP-340005

Spec:

Main Material: Q235

Color:

Remark:



Part Name: Seal

Part No.: HLP-340006

Spec: Ø42x25x8

Main Material:

Color: Black

Remark: Assembled on the top of Knuckle / Converter setting.

It is water-proof and dust-proof.



Part Name: Bearing

Part No.: HLP-340007

Spec: 6004RS

Main Material:

Color:

Remark: Assembled inside the Knuckle / Converter setting



Part Name: Tie Rod Assembly

Part No.: HLP-340008

Spec: 358mm

Main Material:

Color:

Remark:



Part Name: Steering Column and Shaft

Part No.: HEL2-3400050 (column)

HEL2-3400005 (shaft)

Spec:

Main Material:

Color:

Remark:

Disc Brake Assembly



Part Name: Front Left Disc Brake Assembly

Part No.: HLP-820010L

Spec:

Main Material:

Color:

Remark:



Part Name: Front Right Disc Brake Assembly

Part No.: HLP-820010R

Spec:

Main Material:

Color:

Remark:



Part Name: Rear Left Disc Brake Assembly

Part No.: HLP-820020L

Spec:

Main Material:

Color:

Remark:



Part Name: Rear Right Disc Brake Assembly

Part No.: HLP-820020R

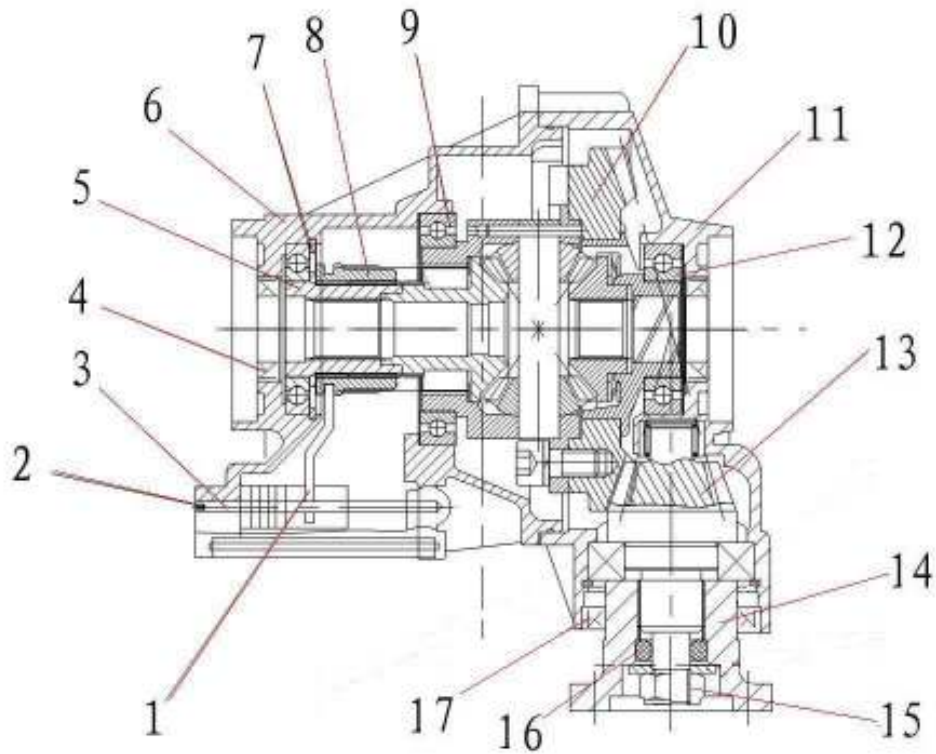
Spec:

Main Material:

Color:

Remark:

Front Differential Drive Housing



Part Name: Front Differential Drive Assembly

Part No.: HLP-220100

Spec:

Color:

Remark:

Item No	Part Name	Part No.	Qty	Specification
1	Shifting Fork	HLP-220101	1	
2	Set-screw	HLP-220102	1	GB/T77-1985 m6x10
3	Steel Needle	HLP-220103	1	
4	Seal	HLP-220104	2	
5	Axle Shaft Gear	HLP-220105	1	
6	Left Differential Housing	HLP-220106	1	
7	Retaining Ring	HLP-220107	2	
8	Clutch Gear	HLP-220108	1	
9	Bearing	HLP-220109	1	
10	Differential	HLP-220110	1	
11	Right Differential Housing	HLP-220111	1	
12	Bearing	HLP-220112	2	6007
13	Input Bevel Gear	HLP-220113	1	
14	Flange	HLP-220114	1	
15	Flange Nut	HLP-220115	1	M14
16	O Seal	HLP-220116	1	16×7G GB3452.1-92
17	Seal	HLP-220117	1	Ø65*48*8



Part Name: Shift Fork
Part No.: HLP-220101
Spec:
Main Material:
Color:
Remark:



Part Name: Set-screw
Part No.: HLP-220102
Spec: GB/T 77-1985 m6x10
Main Material:
Color:
Remark:



Part Name: Steel Needle
Part No.: HLP-220103
Spec:
Main Material: Stainless Steel
Color:
Remark:



Part Name: Seal
Part No.: HLP-220104
Spec:
Main Material: Rubber
Color: Black
Remark:



Part Name: Axle Shaft Gear

Part No.: HLP-220105

Spec:

Main Material:

Color:

Remark:



Part Name: Differential Housing - Left

Part No.: HLP-220106

Spec:

Main Material: Aluminum

Color:

Remark:



Part Name: Retaining Ring

Part No.: HLP-220107

Spec:

Main Material: Spring Steel

Color:

Remark:



Part Name: Clutch Gear

Part No.: HLP-220108

Spec:

Main Material:

Color:

Remark:



Part Name: Bearing
Part No.: HLP-220109
Spec:
Main Material:
Color:
Remark:



Part Name: Differential
Part No.: HLP-220110
Spec:
Main Material:
Color:
Remark:



Part Name: Differential Housing - Right
Part No.: HLP-220111
Spec:
Main Material:
Color:
Remark:



Part Name: Bearing
Part No.: HLP-220112
Spec:
Main Material:
Color:
Remark:



Part Name: Input Bevel Gear

Part No.: HLP-220113

Spec:

Main Material:

Color:

Remark:



Part Name: Flange

Part No.: HLP-220114

Spec:

Main Material:

Color:

Remark:



Part Name: Flange Nut

Part No.: HLP-220115

Spec: M14

Main Material:

Color: Galvanizing White

Remark:



Part Name: O Seal

Part No.: HLP-220116

Spec: 16×7 G GB3452.1-92

Main Material: Rubber

Color: Black

Remark:



Part Name: Seal
Part No.: HLP-220117
Spec: Ø65*48*8
Main Material: Rubber
Color: Black
Remark:



Ruff & Tuff Electric Vehicles, Inc.
1 Ruff & Tuff Drive, Winnsboro, SC 29180

800-997-3547

rtev.net