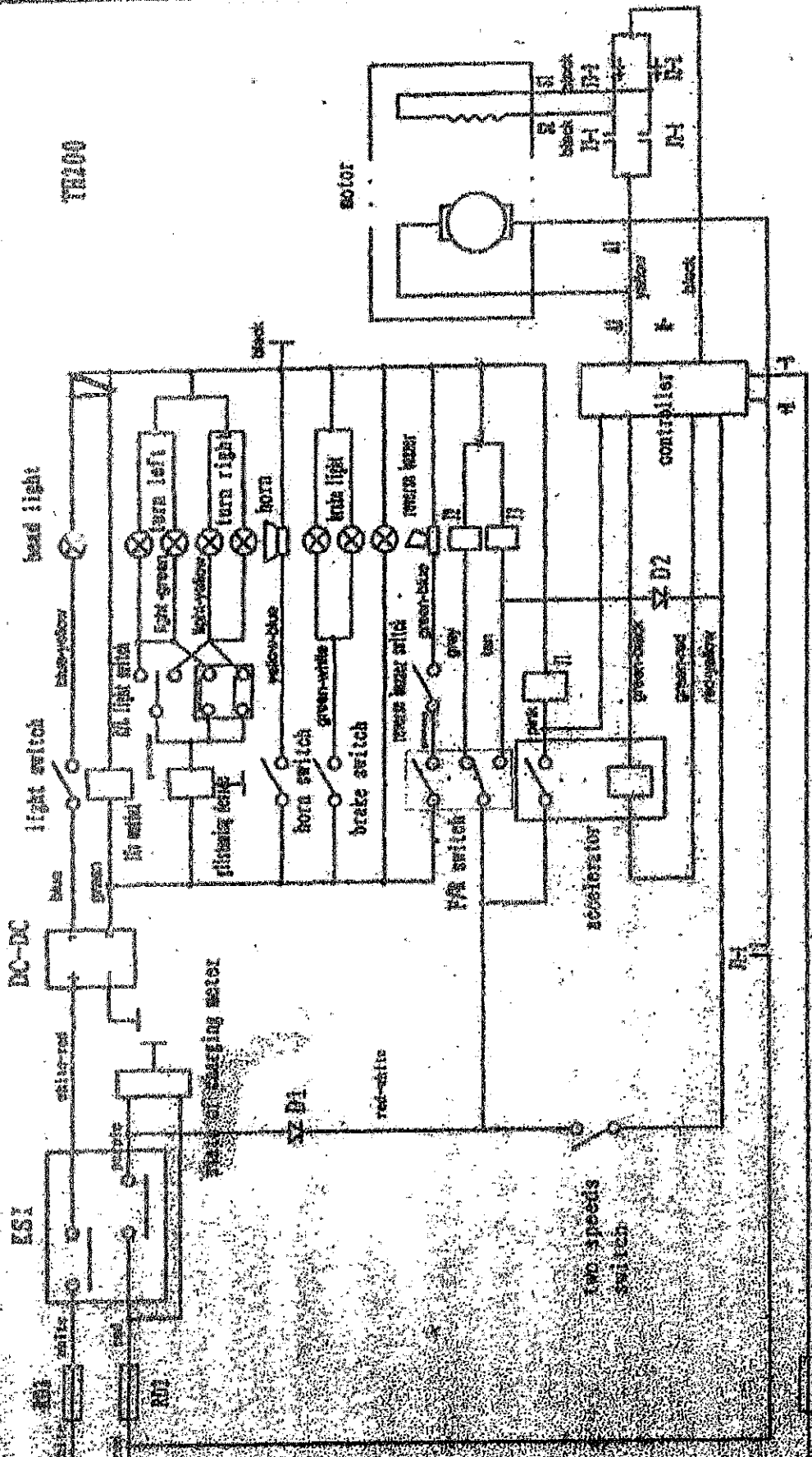


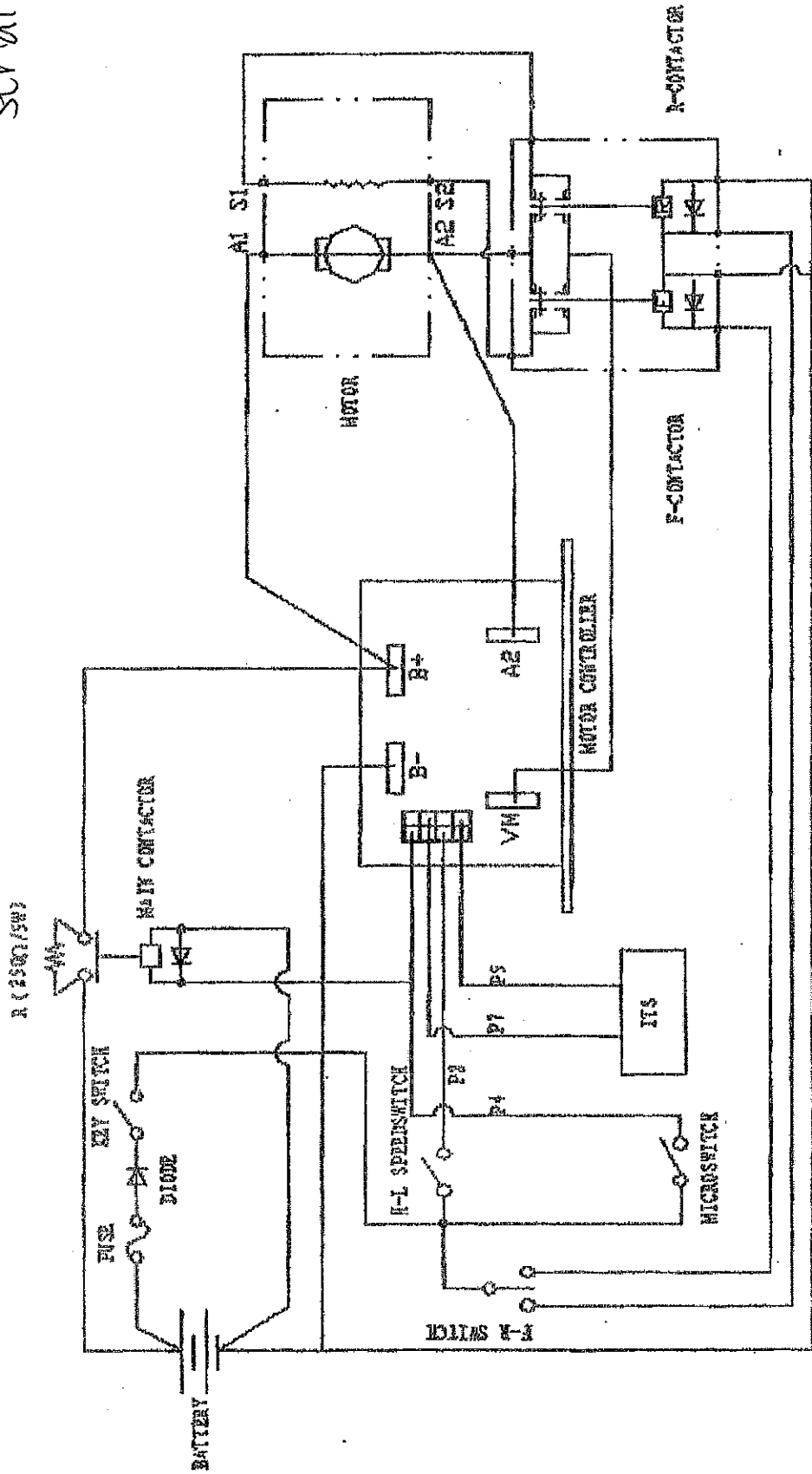
Cruiser wiring 2008 a prior Cruiser



No. DLC2-01-01	
model: TH200 TH400 TH600	
shenzhen tale-sun enterprises ltd	
sheet of the electric controlling elements (two speed)	
total one page	

TH200	TH400	TH600
05.7.1.5		

Wiring Diagram 2008 of prior cruiser
 (HEL-XXXX)
 Serial #



U-1 SPEED MOTOR CONTROLLER